



CITEL

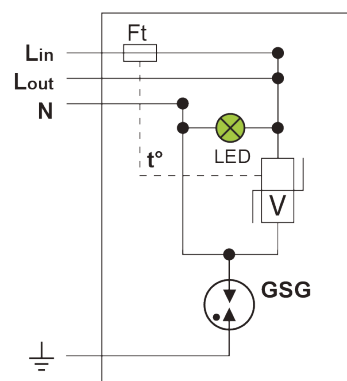
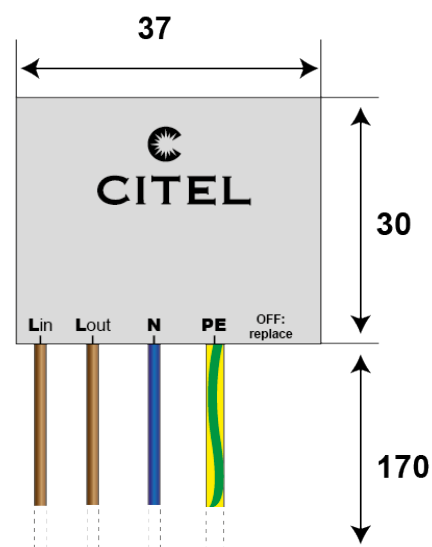
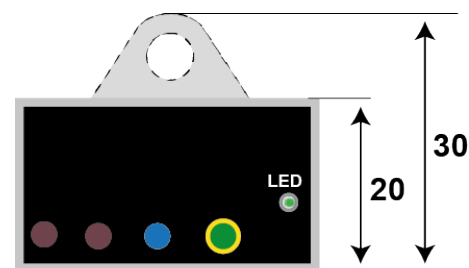


MLPX1-230L-W

- Ultra compact Type 2+3 hard wired surge protectors
- Wall mounting and hard wired connection
- Bracket breakable
- Protection rating : IP67
- Disconnection signaling by indicator
- AC disconnection in case of end of life
- EN 61643-11, IEC 61643-11 and UL1449 4ed. compliance



Electrical Characteristics		
SPD type		2+3
Network		230-277 V single-phase
AC system		TT/TN
Nominal line voltage	U_n	230 V
Max. AC operating voltage L-N	U_c	320 Vac
Max. load current	I_L	10 A
Temporary Over Voltage (TOV) Characteristics - 5 sec. <i>Without disconnection</i>	U_T	335 Vac withstand
Temporary Over Voltage (TOV) Characteristics - 120 mn <i>Without disconnection or with safety disconnection</i>	U_T	440 Vac disconnection
Temporary Over Voltage N/PE (TOV HT) <i>Without disconnection or with safety disconnection</i>	U_T	1200 V/300A/200 ms disconnection
Residual Current <i>Leakage current to Ground</i>	I_{pe}	None
Nominal discharge current <i>15 x 8/20 μs impulses</i>	I_n	5 kA
Max. discharge current <i>max. withstand @ 8/20 μs by pole</i>	I_{max}	10 kA
Total Maximal discharge current <i>max. total withstand @ 8/20 μs</i>	I_{max} <i>Total</i>	20 kA
Withstand on Combination waveform IEC 61643-11 <i>Class III test: 1.2/50μs - 8/20μs</i>	U_{oc}	10 kV
Withstand on overvoltages IEEE C62.41.1		10 kV / 10 kA
Protection model(s)		Common/Differential mode
Protection level L/N <i>@ In (8/20μs)</i>	U_p L/N	1.5 kV
Protection level L/PE <i>@ In (8/20μs)</i>	U_p L/PE	1.5 kV
Protection level CM/DM <i>@ In (8/20μs)</i>	U_p mc/ md	1.5 kV / 1.5 kV
Admissible short-circuit current	I_{sc}	10 000 A
Mechanical Characteristics		
Technology		MOV+GDT
Connection to Network		by wires : 1.5 mm ² (L/N) and 2.5 mm ² (PE)
Mounting		Wall or plate
Housing material		Thermoplastic UL94-V0
Operating temperature		-40/+85°C
Protection rating		IP67
Failsafe mode		Disconnection and AC line cut-off
Disconnection indicator		Led green OFF and AC network cut-off
Voltage/operating indicator		Green Led ON
Dimensions		See diagram
Weight		0.051 kg



V: Varistor
 GSG: Specific gas tube
 LED: Disconnection indicator
 Ft: Thermal fuse
 t°: Thermal system disconnection



CITEL

Disconnectors		
Thermal disconnecter		Internal
Installation ground fault breaker		Type 'S' or delayed
Standards		
Standards compliance		IEC 61643-11 / EN 61643-11 / UL1449 4ed.
Part Number		711214